

## ASSEMBLY INSTRUCTION PRESTBURY BED

**IMPORTANT:** READ THESE INSTRUCTIONS CAREFULLY BEFORE ASSEMBLING OR USING BED FRAME.

**PLEASE KEEP THESE INSTRUCTIONS FOR FUTURE REFERENCE.**

### **HEALTH & SAFETY:**

**DO NOT** jump on this bed frame.

**DO NOT** use this bed frame if any parts are missing, damaged or worn.

**DO NOT** use this bed frame unless all fixings are secured.

Please keep small parts out of reach of children.

Always use on a level, even surface.

**WARNING:** If this bed is placed on a non-carpeted floor you must place some protection under all legs to stop the bed frame from moving. If this is not adhered to there is no guarantee if the bed frame collapses.

### **CARE & MAINTENANCE:**

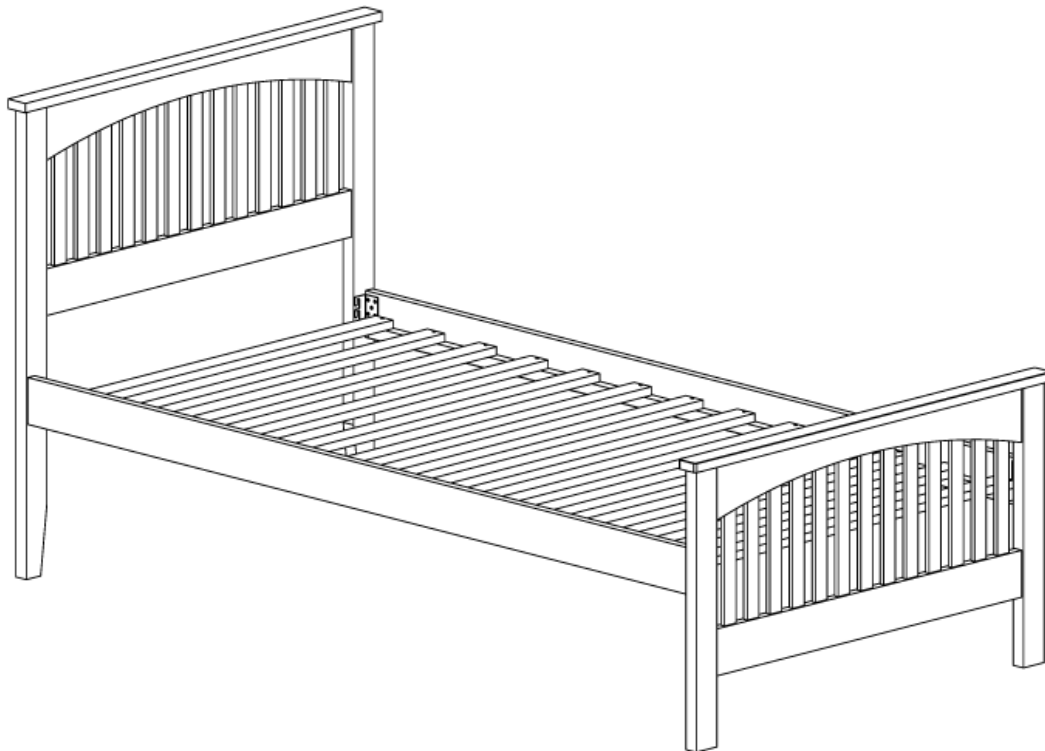
Assemble in the room of use.

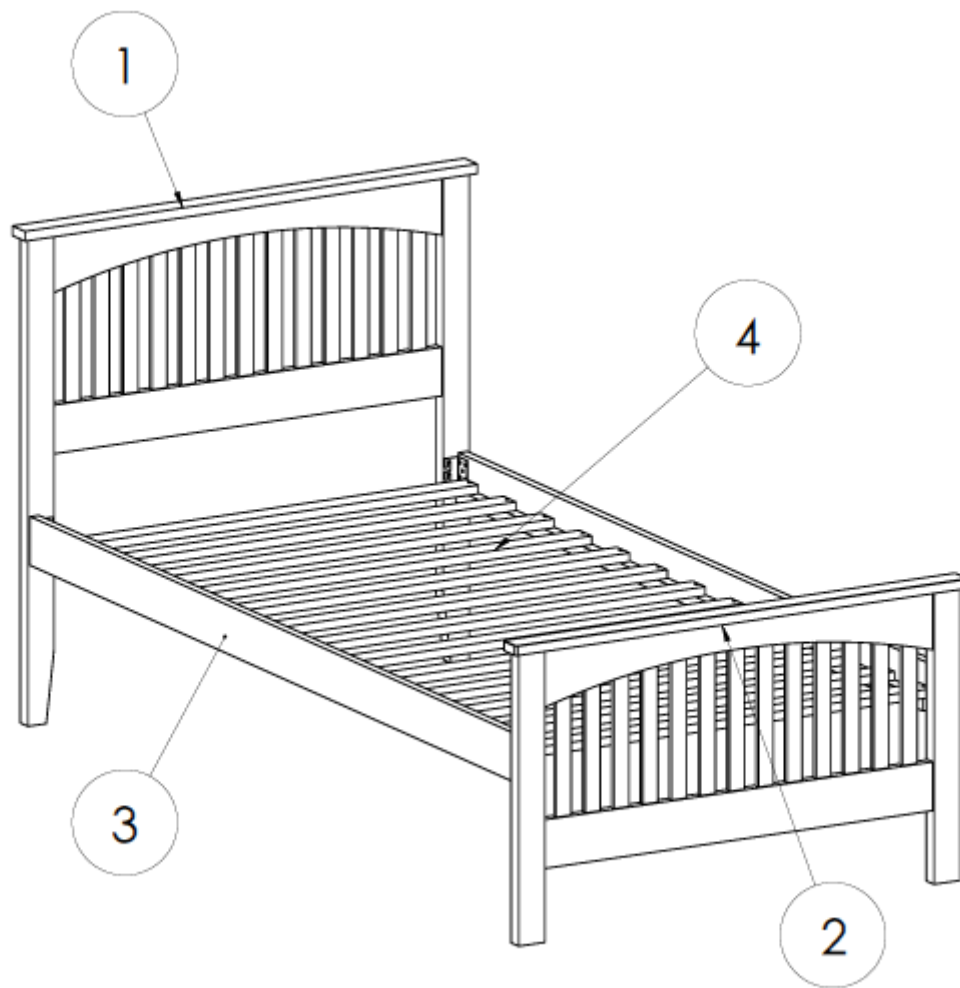
Periodically check all screws & fixings to ensure they are secure.

**DO NOT** push the bed frame as this will damage the legs.

Always lift the bed with two people to reposition.

Keep any sharp objects away from the frame.

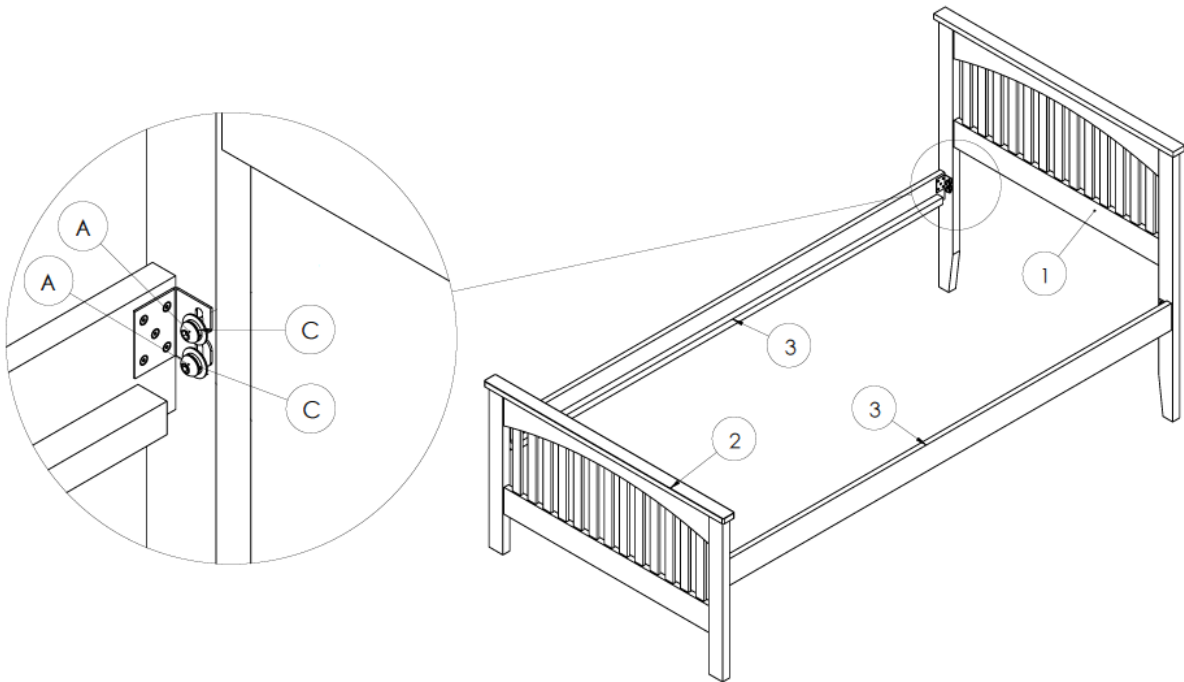




PART LIST			HARDWARE LIST		
PART	DESCRIPTION	QTY	PART	DESCRIPTION	QTY
<b>TOP FRAME</b>					
1	HEADEND	1	A	M8 x 20mm Bolt	8
2	FOOTEND	1	B	M4 x 32mm CSK Screw	28
3	SIDE RAIL	2	C	M8 FLAT WASHER	8
4	SLAT	14	D	M5 ALLEN KEY	1

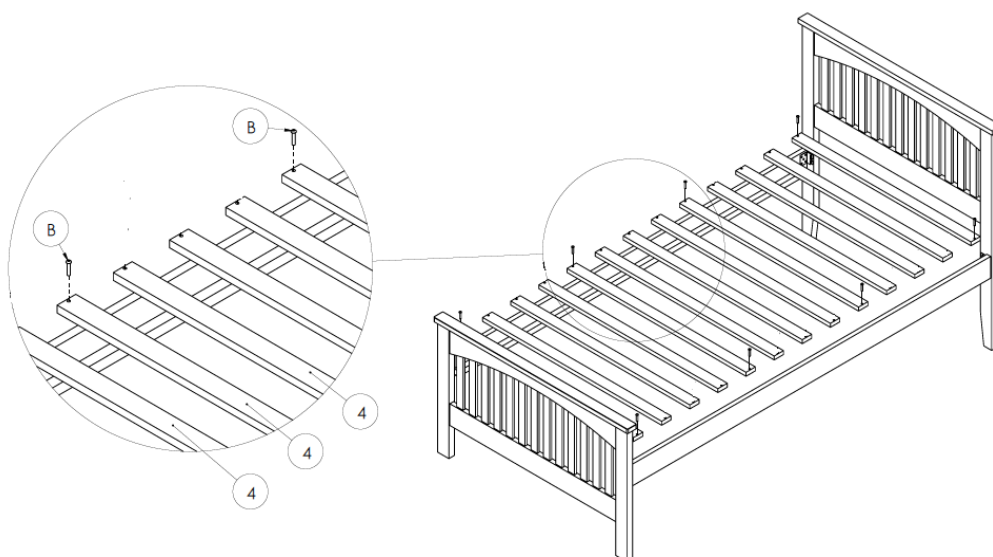
\*\* You will need a screwdriver ( not provided )

**Step 1 :** Attach the side rail (3) to the headend (1) using 2 pieces of hardware A & C each side but do not fully tighten (left 10mm space ) using hardware M . Place the side rail brackets over the bolts as shown – when the bolt ends of the side rail(3) are attached , tighten securely using hardware part D , repeating for both sides  
**DO NOT** use any power tools as this may damage the frame and will invalidate any claim



**Step 2 :** Attach the slat (4) to the side rail (3) using hardware part (B) and fully tighten using a screwdriver(not provided) .

**Remark :** Screw the first & last slat after the slat fix screw 5<sup>th</sup> and 9<sup>th</sup> as the guide hole.  
**DO NOT** use any power tools as this may damage the frame and will invalidate any claim



## ASSEMBLY INSTRUCTION

### PRESTBURY TRUNDLE

**IMPORTANT:** READ THESE INSTRUCTIONS CAREFULLY BEFORE ASSEMBLING OR USING BED FRAME.

**PLEASE KEEP THESE INSTRUCTIONS FOR FUTURE REFERENCE.**

#### **HEALTH & SAFETY:**

**DO NOT** jump on this bed frame.

**DO NOT** use this bed frame if any parts are missing, damaged or worn.

**DO NOT** use this bed frame unless all fixings are secured.

Please keep small parts out of reach of children.

Always use on a level, even surface.

**WARNING:** If this bed is placed on a non-carpeted floor you must place some protection under all legs to stop the bed frame from moving. If this is not adhered to there is no guarantee if the bed frame collapses.

#### **CARE & MAINTENANCE:**

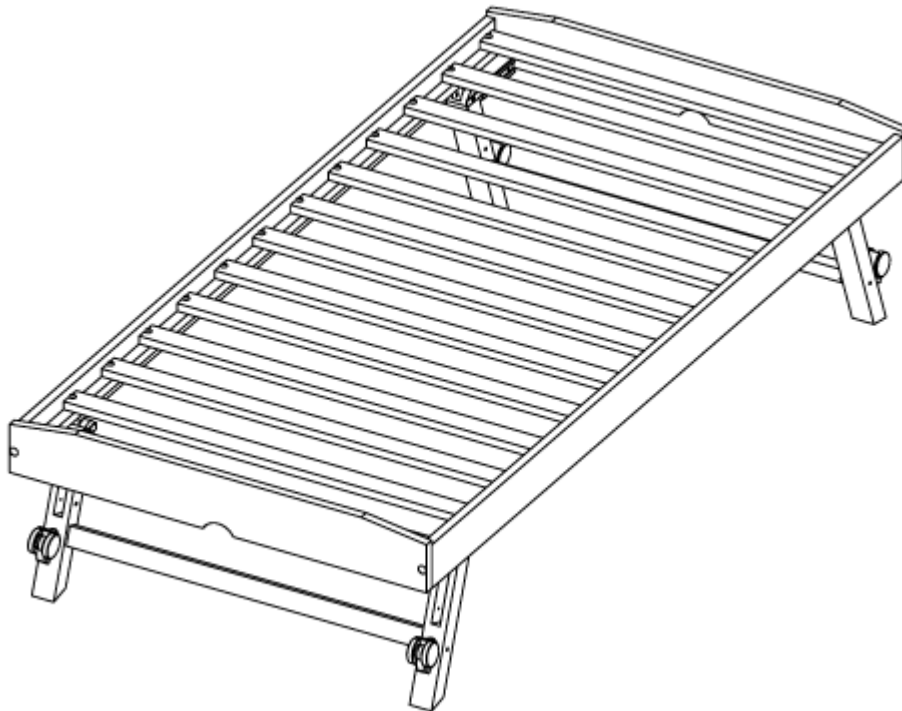
Assemble in the room of use.

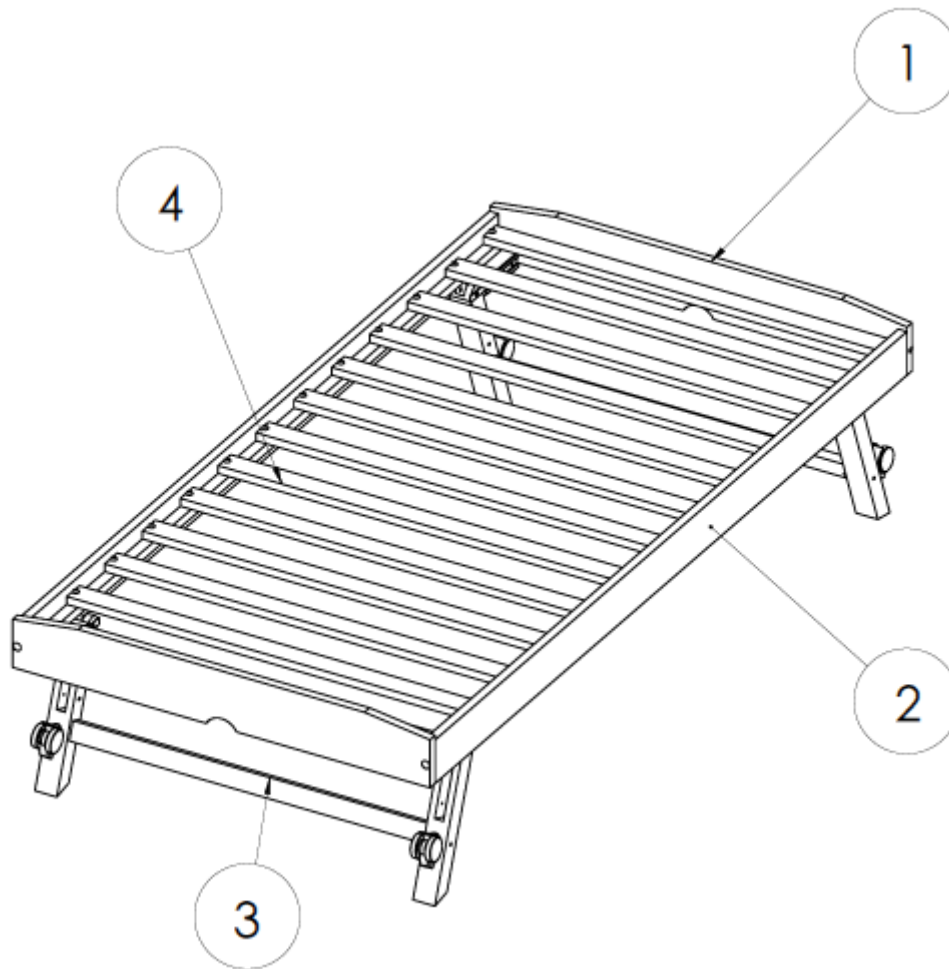
Periodically check all screws & fixings to ensure they are secure.

**DO NOT** push the bed frame as this will damage the legs.

Always lift the bed with two people to reposition.

Keep any sharp objects away from the frame.

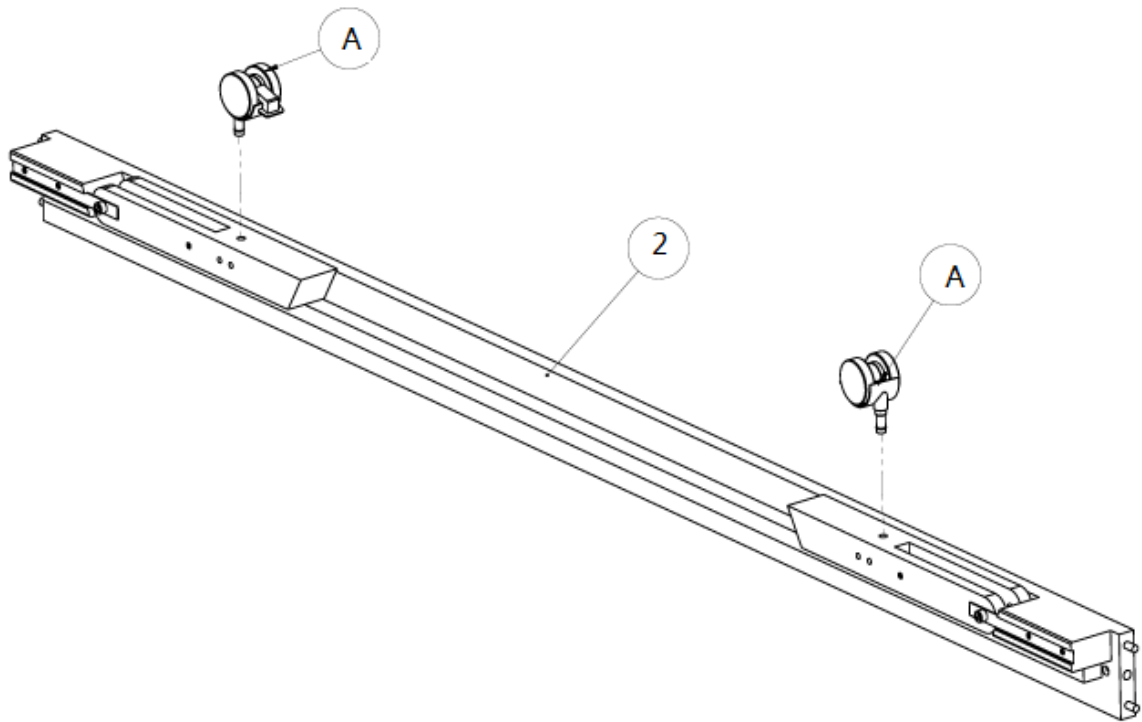




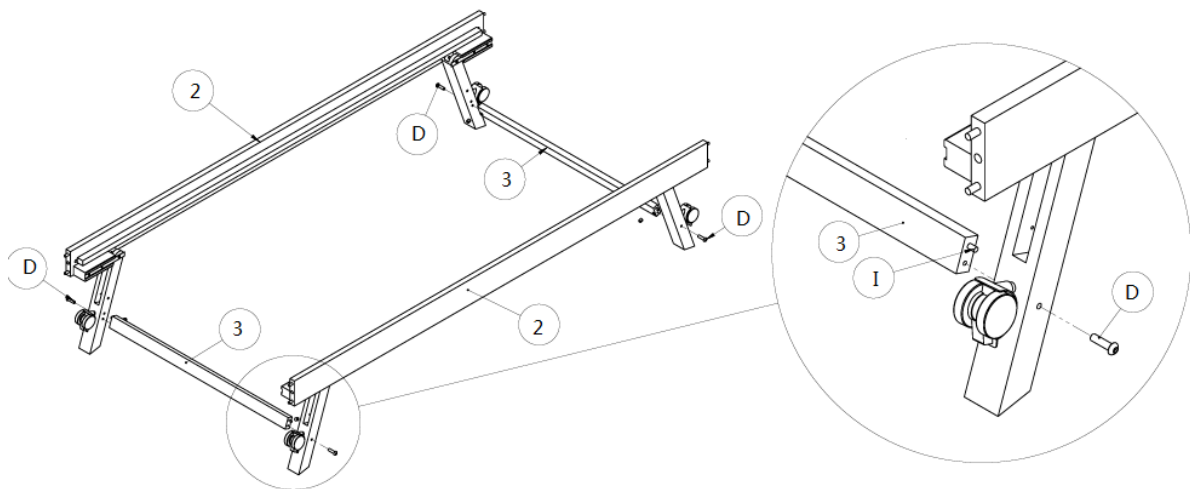
PART LIST			HARDWARE LIST		
PART	DESCRIPTION	QTY	PART	DESCRIPTION	QTY
<b>TRUNDLE</b>					
1	TRUNDLE ENDBOARD	2	A	CASTER WHEEL	4
2	TRUNDLE SIDE RAIL	2	B	M6 x 50 mm Bolt	4
3	TRUNDLE LEG BAR	2	C	M4 x 32mm CSK Screw	28
4	TRUNDLE SLAT	13	D	M6 x 60mm Bolt	4
			E	M8 X 40 Wooden Dowel	8
			F	Wooden Button 13.5mm	4
			G	M6 Barrel Nut	4
			H	M4 ALLEN KEY	1
			I	M10 X 50 Wooden Dowel	4

**\*\* You will need a screwdriver ( not provided )**

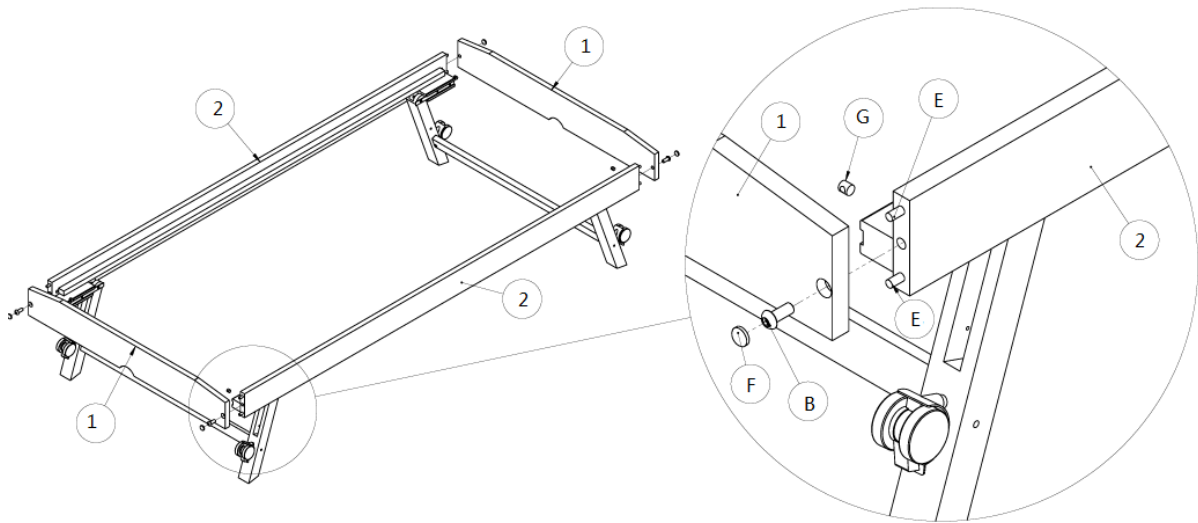
**Step 1 :** Push hardware part E firmly into the holes on the trundle side rail (6)  
**CAUTION :** When the leg ties are cut , the legs spring back  
**DO NOT** use any power tools as this may damage the frame and will invalidate any claim



**Step 4 :** Attach the leg bars (7) using hardware parts N & H , tighten using hardware H.  
**DO NOT** use any power tools as this may damage the frame and will invalidate any claim



**Step 5 :** Insert hardware part I into the holes in the side rail (6) until fully inserted then attach the end boards (5) to the trundle side rail(6) using hardware K, F & J , tighten using hardware H.  
**DO NOT** use any power tools as this may damage the frame and will invalidate any claim



**Step 6 :** Attach the slat (8) to the trundle side rail (6) using hardware part G and fully tighten using a screwdriver (not provided)

**Remark :** Screw the first & last slat after the slat fix screw 5<sup>th</sup> and 9<sup>th</sup> as the guide hole.

**DO NOT** use any power tools as this may damage the frame and will invalidate any claim

